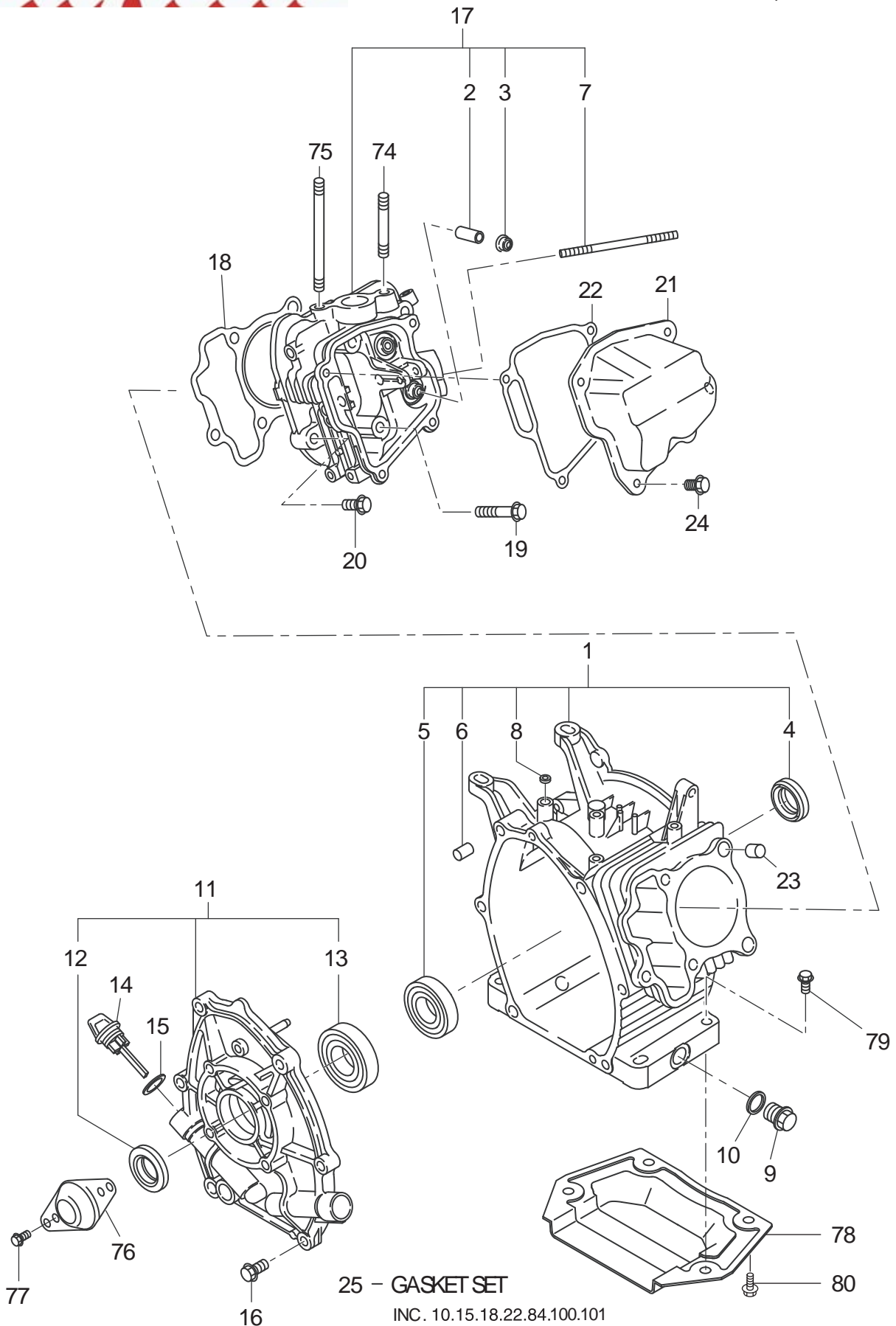




11 - 2010

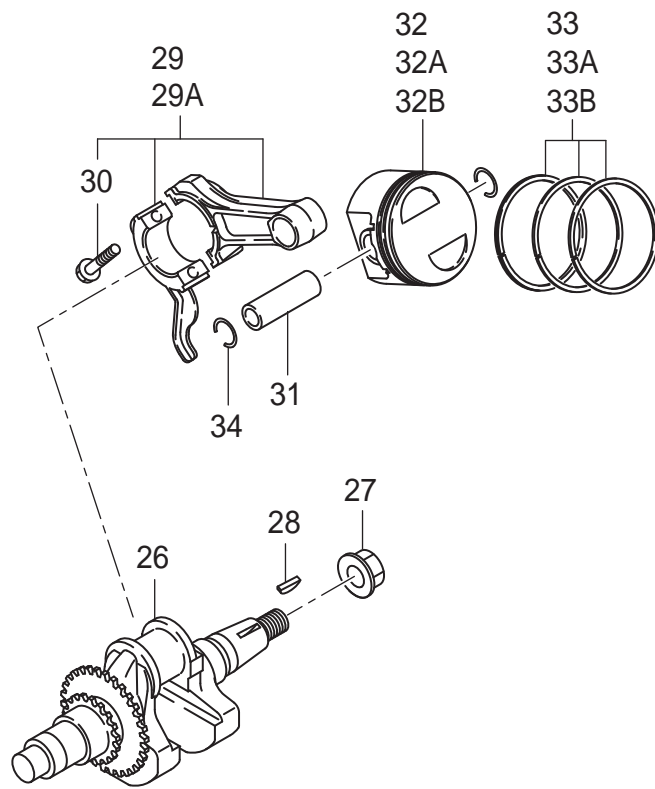
G2800I

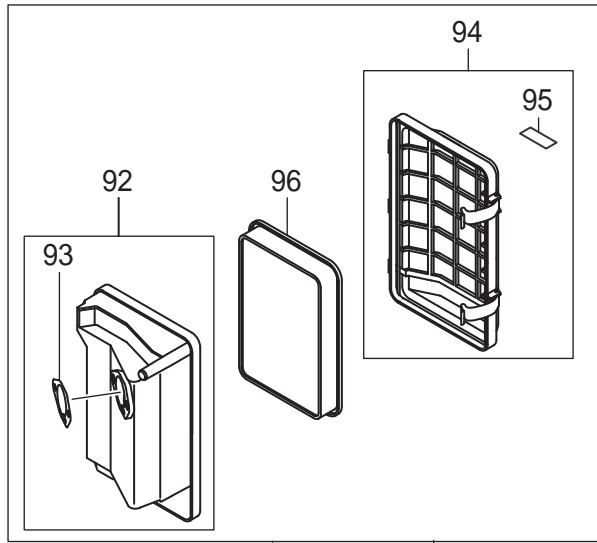
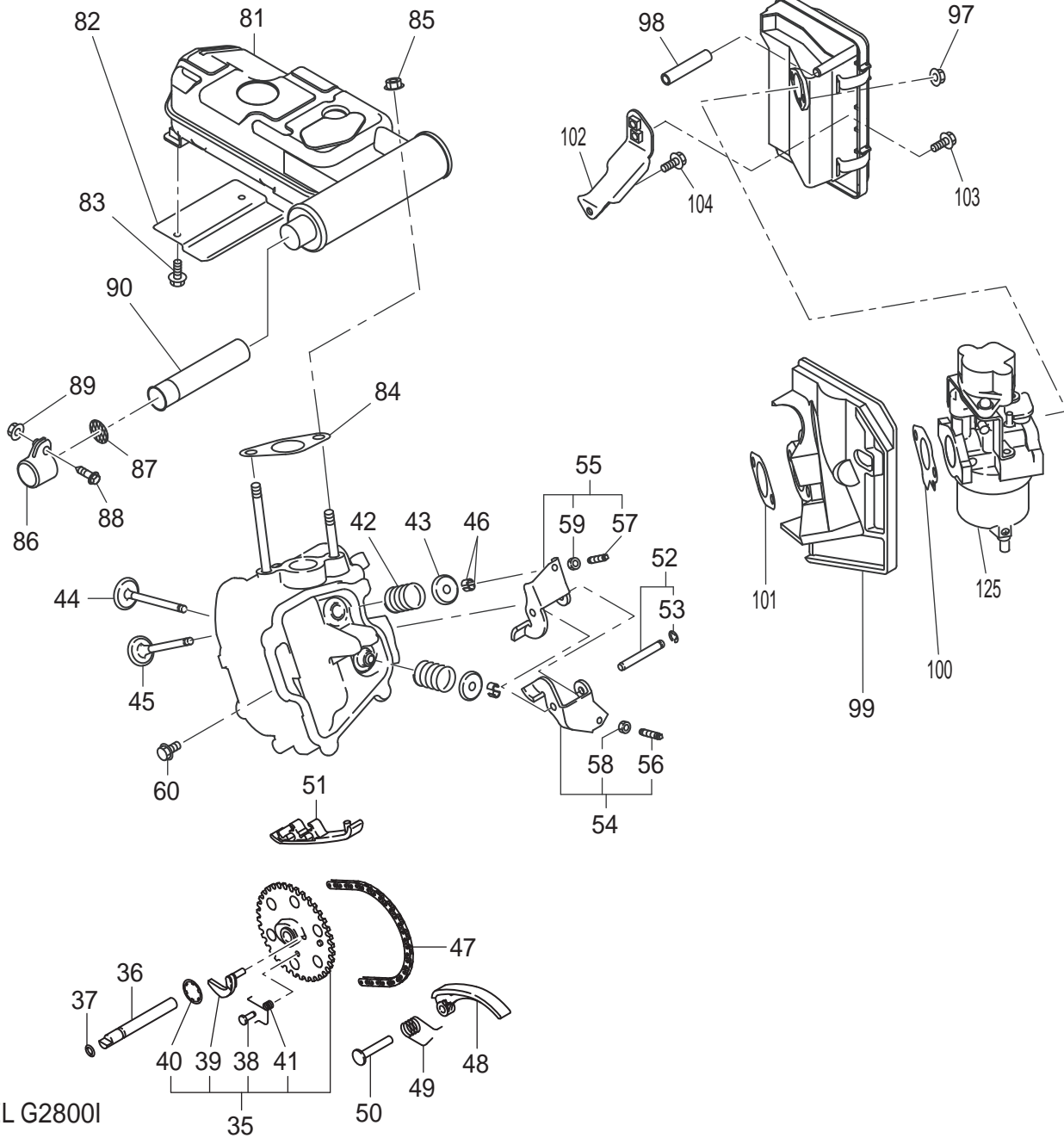
INVERTER GENERATOR, 2800WATT

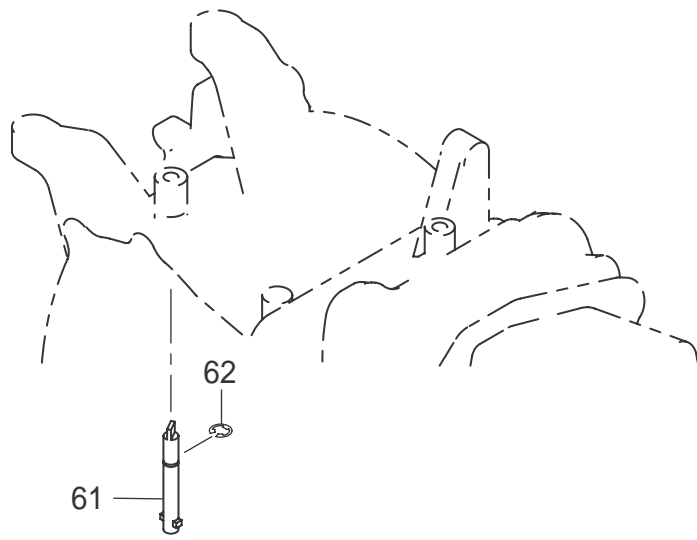


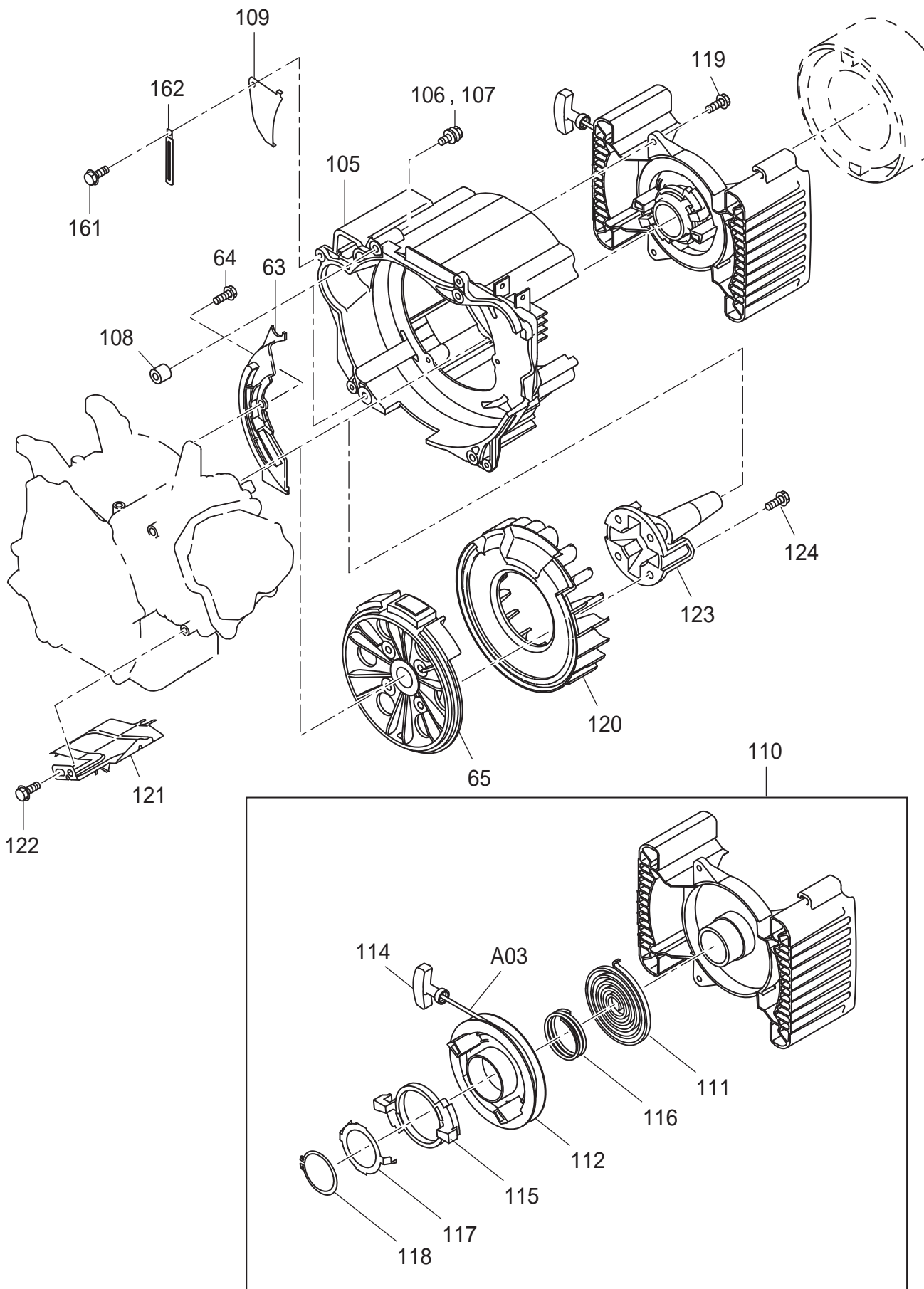
25 - GASKET SET

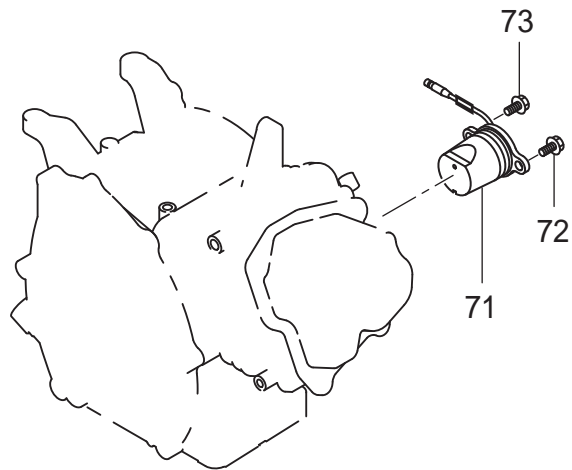
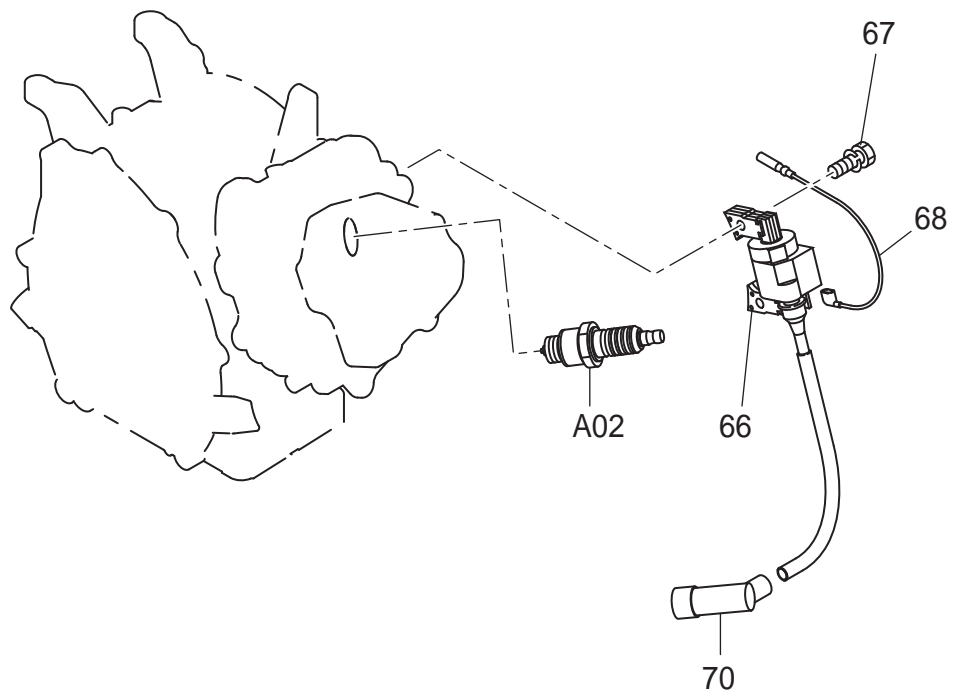
INC. 10.15.18.22.84.100.101



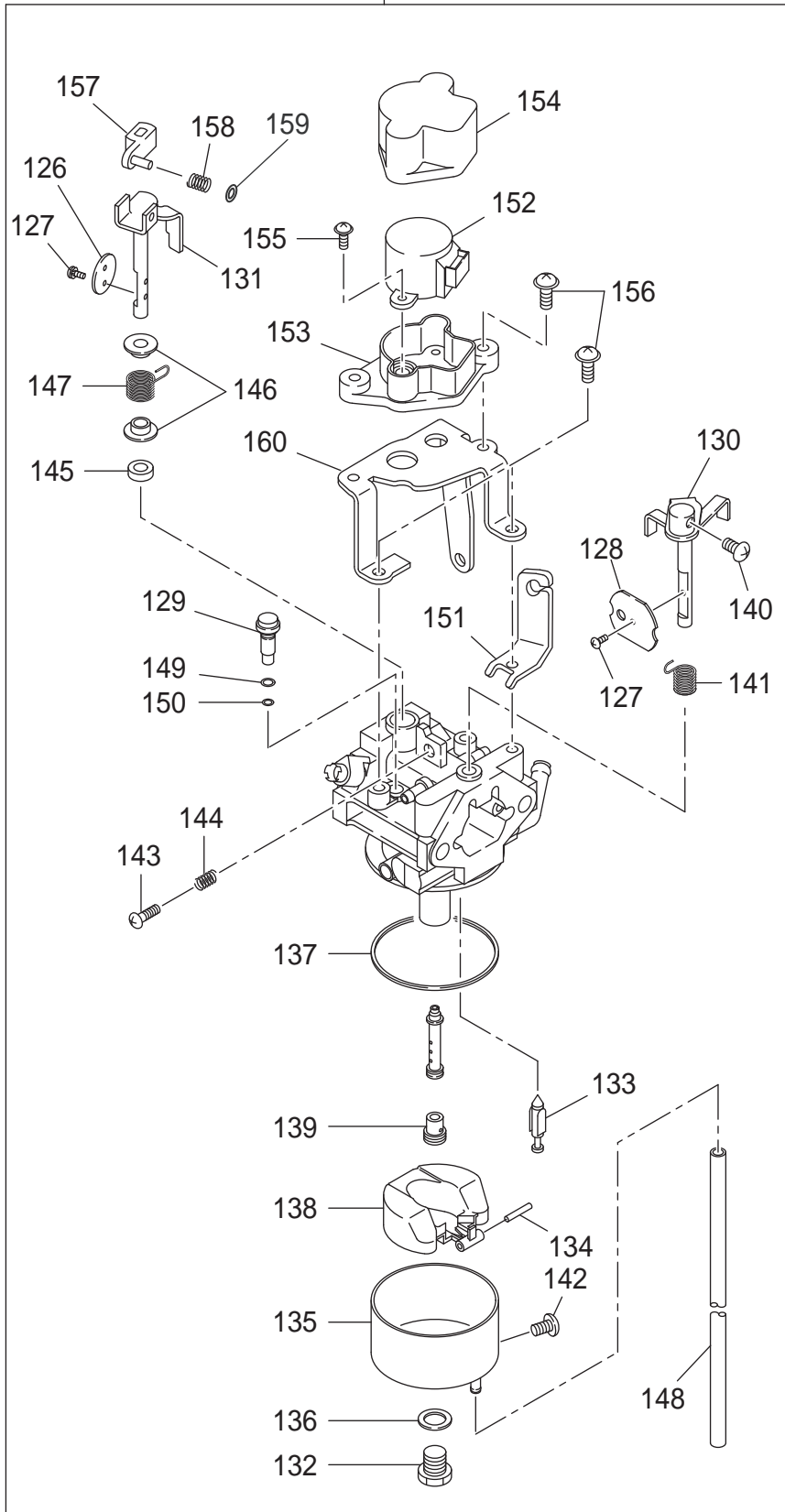


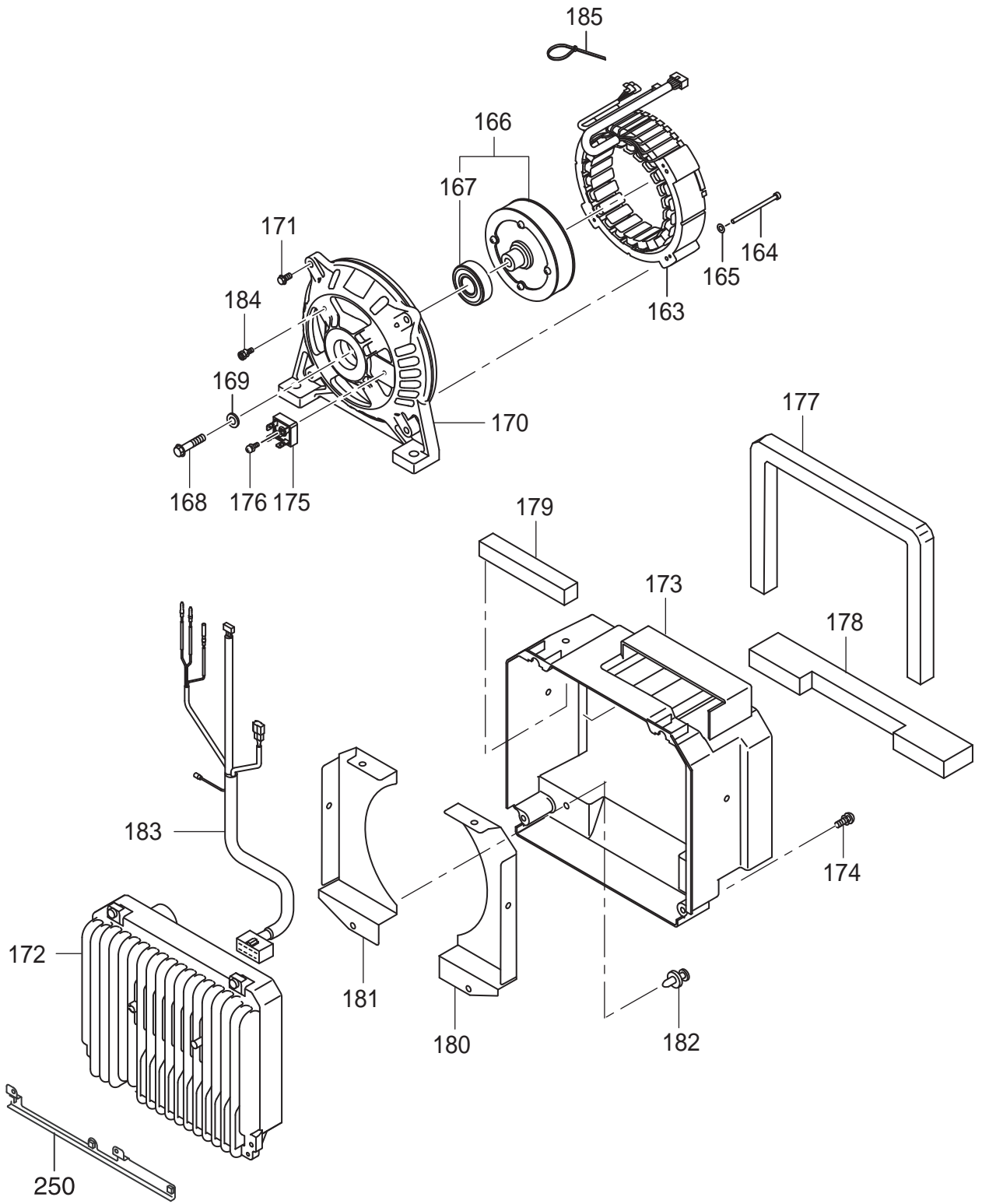


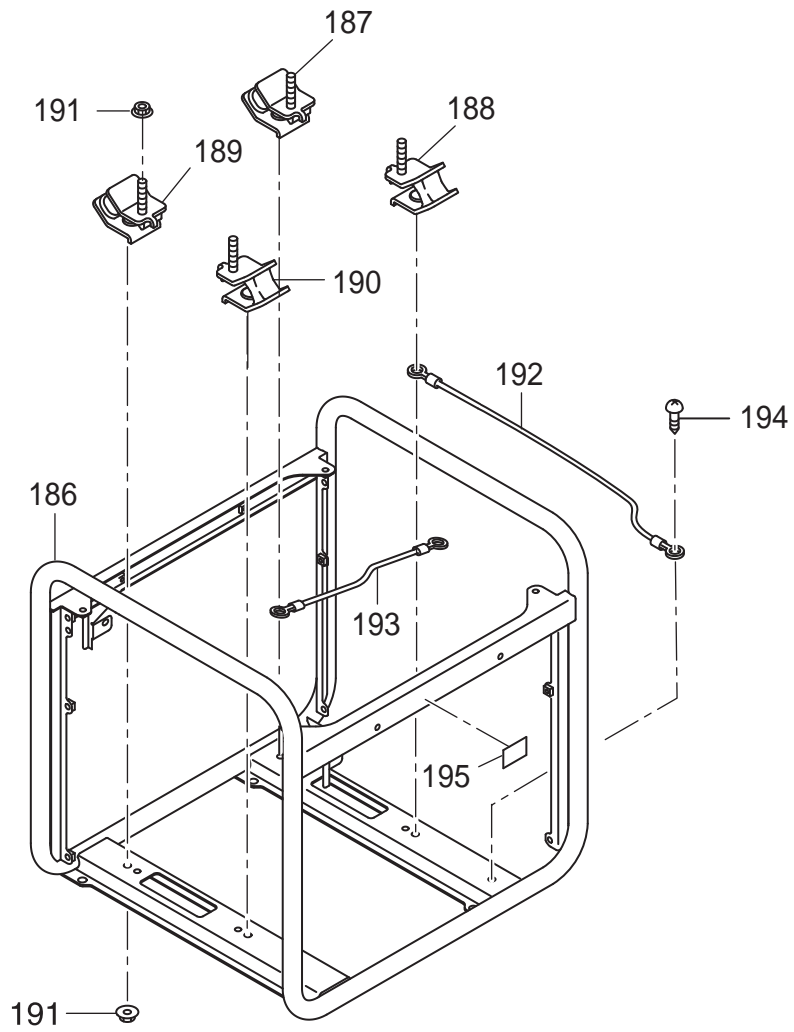


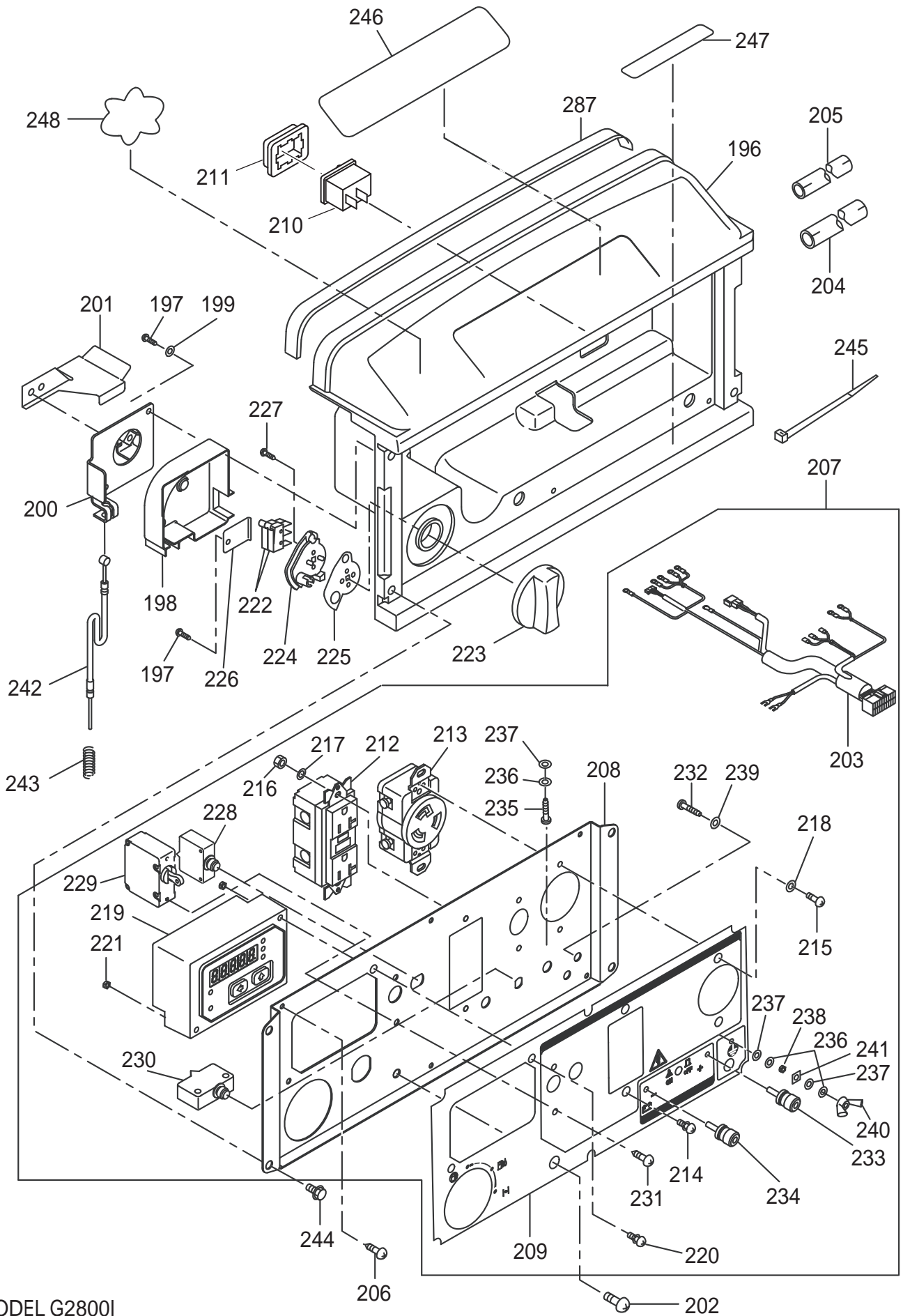


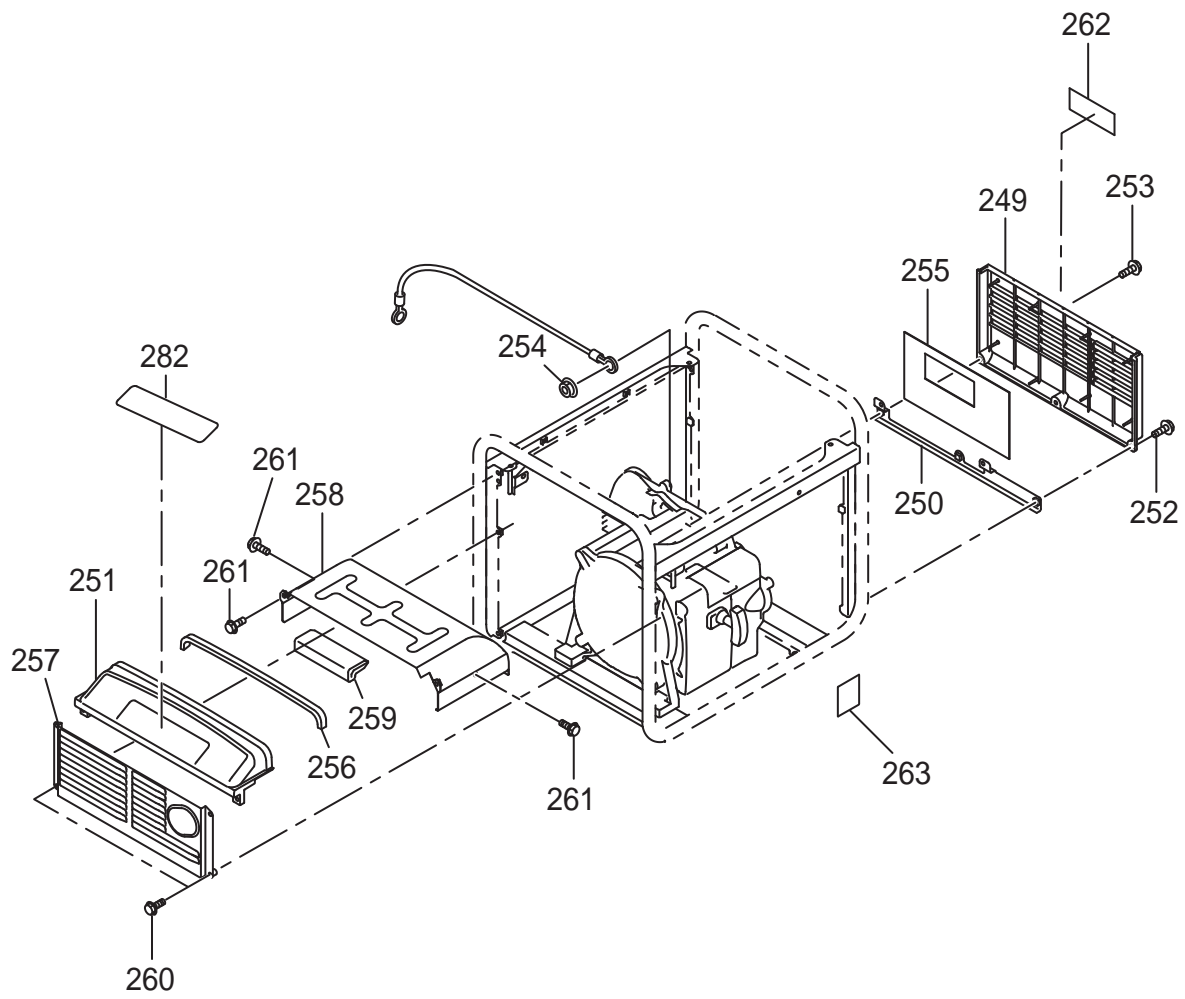
125

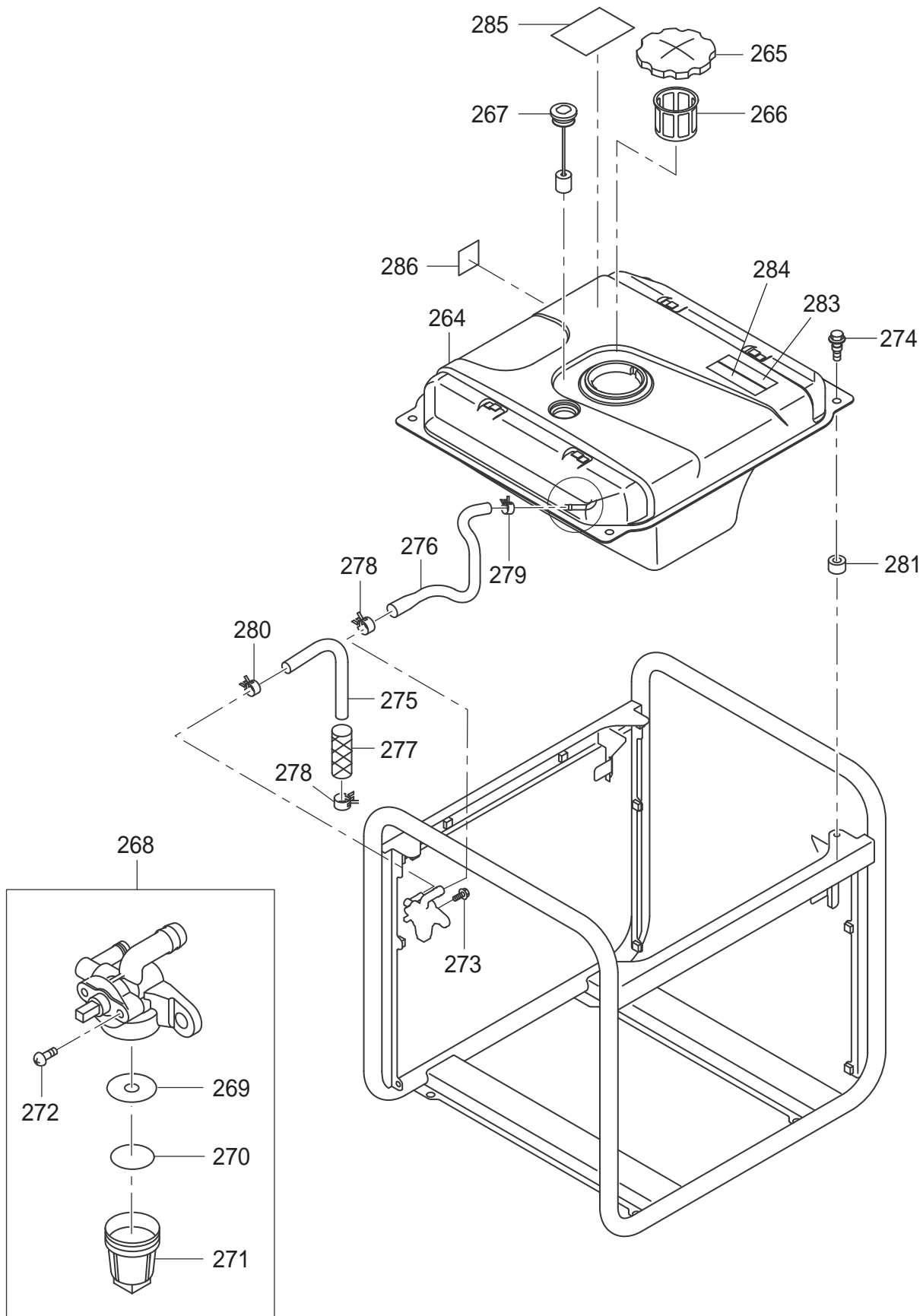


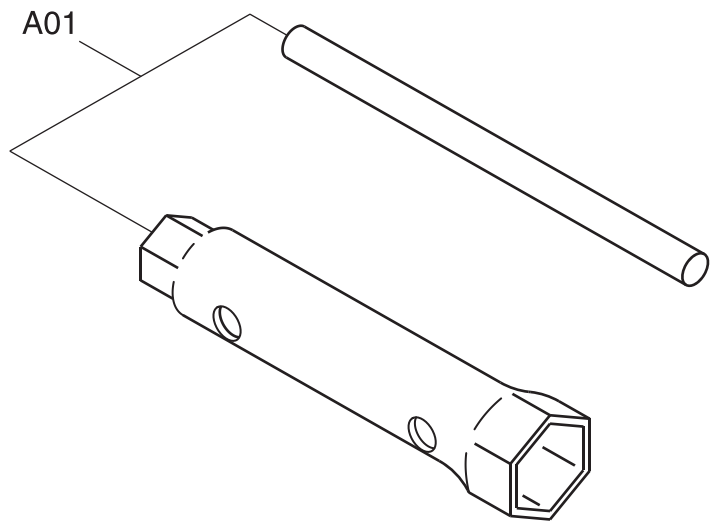












| Item No | Type | Ref | Re Part No | Description | Qty | Unit |
|---------|------|------|--------------|--|-----|------|
| 1 | 3 | | 277-10102-61 | CRANK CASE CP | 1 | PC. |
| 1 | | INC. | | Item No. 4-6,8 | | |
| 2 | | | 237-14202-03 | VALVE GUIDE | 2 | PC. |
| 3 | | | 277-16010-01 | STEM SEAL | 1 | PC. |
| 4 | | | 044-02502-00 | OIL SEAL | 1 | PC. |
| 5 | | | 060-02800-21 | BALL BEARING | 1 | PC. |
| 6 | | | 277-15011-03 | PIPE KNOCK | 2 | PC. |
| 7 | | | 010-50603-51 | STUD | 2 | PC. |
| 8 | | | 044-00600-20 | OIL SEAL | 1 | PC. |
| 9 | | | 040-11400-30 | PLUG | 2 | PC. |
| 10 | | | 021-11400-20 | GASKET | 2 | PC. |
| 11 | 3 | | 277-11001-61 | MAIN BEARING COVER COM | 1 | PC. |
| | 3 | INC. | | Item No. 12,13 | | |
| 12 | | | 044-02502-10 | OIL SEAL | 1 | PC. |
| 13 | 2 | | X60-02501-40 | BALL BEARING 6205 | 1 | PC. |
| | 3 | | 060-02501-40 | BALL BEARING 6205 | 1 | PC. |
| 14 | 2 | | 277-63601-30 | OIL GAUGE ASSY | 2 | PC. |
| 15 | 2 | | X21-31600-20 | GASKET | 2 | PC. |
| | 3 | | 277-63601-08 | GASKET | 2 | PC. |
| 16 | | | 001-04083-50 | FLANGE BOLT | 6 | PC. |
| 17 | | | 277-13005-01 | CYLINDER HEAD CP | 1 | PC. |
| | | INC. | | Item No. 2,3,7 | | |
| 18 | 1 | | 277-15001-23 | GASKET (HEAD) (Type 1 - 2) | 1 | PC. |
| | 3 | | 277-15001-33 | GASKET(HEAD) (Component of 277-99001-47) | 1 | PC. |
| | 4 | | 277-15001-43 | GASKET(HEAD) (Component of 277-99001-57) | 1 | PC. |
| 19 | | | 011-00802-40 | FLANGE BOLT | 4 | PC. |
| 20 | | | 011-00803-10 | FLANGE BOLT | 1 | PC. |
| 21 | 1 | | 277-15503-01 | ROCKER COVER COM | 1 | PC. |
| | 2 | | 277-15503-11 | ROCKER COVER COM | 1 | PC. |
| 22 | 1 | | 277-16001-13 | GASKET(ROCKER COVER)T=0.7 | 1 | PC. |
| | 2 | | 277-16001-23 | GASKET(ROCKER COVER)T=0.7 | 1 | PC. |
| 23 | | | 277-15011-03 | PIPE KNOCK | 2 | PC. |
| 24 | | | 011-00600-20 | FLANGE BOLT | 4 | PC. |
| 25 | 6 | | 277-99001-77 | GASKET SET | 1 | PC. |
| | | INC. | | Item No. 10,15,18,22,84,100,101 | | |
| 26 | | | 277-20501-01 | CRANK SHAFT CP | 1 | PC. |
| 27 | | | 018-01400-20 | FLANGE NUT | 1 | PC. |
| 28 | | | 032-30300-10 | WOODRUFF KEY | 1 | PC. |
| 29 | | | 277-22501-10 | CONNECTING ROD ASSY | 1 | PC. |
| | | INC. | | Item No. 30 | | |
| 29A | | | 277-22502-00 | CONNECTING ROD ASSY | 1 | PC. |
| | | INC. | | Item No. 30 | | |
| 30 | | | 277-23001-03 | CONNECTING ROD BOLT | 2 | PC. |
| 31 | | | 277-23301-13 | PISTON PIN | 1 | PC. |
| 32 | | | 277-23401-J3 | PISTON | 1 | PC. |
| 32A | | | 277-23403-J3 | PISTON, 0.25 O.S. | 1 | PC. |
| 32B | | | 277-23404-J3 | PISTON, 0.50 O.S. | 1 | PC. |
| 33 | 1 | | 277-23501-17 | PISTON RING SET STD | 1 | PC. |
| | 2 | | 277-23531-07 | PISTON RING SET STD OIL 3PCS | 1 | PC. |
| 33A | 2 | | 277-23532-07 | PISTON RING SET.25 O.S.OIL3PCS | 1 | PC. |
| | 2 | | 277-23533-07 | PISTON RING SET.50 O.S.OIL3PCS | 1 | PC. |
| 34 | | | 056-51600-10 | CLIP | 2 | PC. |
| 35 | 1 | | 278-31601-31 | * CAM SHAFT CP | 1 | PC. |
| | | INC. | | * Item No. 38-41 | | |
| 35 | 5 | | 278-31601-71 | * CAM SHAFT COMPLETE | 1 | PC. |
| | | INC. | | * Item No. 38-41 | | |

| Item Nc | Type | Ref | Re Part No | Description | Qty | Unit |
|---------|------|------|--------------|--|-----|------|
| 36 | | | 277-35101-01 | PIN(CAM SHAFT)CPL | 1 | PC. |
| 38 | | | 277-38601-03 | PIN (SPRING) | 1 | PC. |
| 39 | 2 | | 277-36401-13 | RELEASE LEVER | 1 | PC. |
| 40 | | | 277-36501-03 | CLIP | 1 | PC. |
| 41 | 4 | | 277-38703-23 | * RETURN SPRING | 1 | PC. |
| | 5 | | 277-38703-33 | * RETURN SPRING | 1 | PC. |
| 42 | | | 279-33601-03 | VALVE SPRING | 2 | PC. |
| 43 | | | 269-33701-03 | SPRING RETAINER | 2 | PC. |
| 44 | 1 | | 277-33401-H3 | INTAKE VALVE | 1 | PC. |
| | 2 | | 20A-33401-03 | INTAKE VALVE | 1 | PC. |
| 45 | 1 | | 277-33501-H3 | EXHAUST VALVE | 1 | PC. |
| | 2 | | 20A-33501-03 | EXHAUST VALVE | 1 | PC. |
| 46 | | | 132-10KA0-31 | COLLET VALVE | 4 | PC. |
| 47 | 2 | | 277-35602-H1 | TIMING CHAIN COMPLETE | 1 | PC. |
| 48 | 2 | | 20A-36911-03 | TENTIONER | 1 | PC. |
| 49 | | | 277-37101-03 | SPRING (TENTIONER) | 1 | PC. |
| 50 | | | 277-36902-03 | PIN (TENTIONER) | 1 | PC. |
| 51 | 2 | | 20A-36913-03 | CHAIN GUIDE | 1 | PC. |
| 52 | 2 | | 277-35004-01 | PIN(ROCKER) CP (OLD# 277-35002-01 - N/L/A) | 1 | PC. |
| 52 | | INC. | | Item No. 53 | | |
| 53 | | | 003-13050-00 | CLIP | 1 | PC. |
| 54 | | | 277-36201-00 | ROCKER ARM(IN) ASSY | 1 | PC. |
| 54 | | INC. | | Item No. 56,58 | | |
| 55 | | | 277-36202-00 | ROCKER(EX) ASSY | 1 | PC. |
| 55 | | INC. | | Item No. 57,59 | | |
| 56 | | | 014-90500-20 | ADJUST SCREW | 1 | PC. |
| 57 | | | 014-90500-20 | ADJUST SCREW | 1 | PC. |
| 58 | | | 017-00500-30 | NUT | 1 | PC. |
| 59 | | | 017-00500-30 | NUT | 1 | PC. |
| 60 | | | 011-00600-20 | FLANGE BOLT | 1 | PC. |
| 61 | | | 277-48601-03 | PIN (BLIND) | 1 | PC. |
| 62 | | | 003-13050-00 | CLIP | 1 | PC. |
| 63 | | | 277-52711-21 | BAFFLE 1 CPL | 1 | PC. |
| 64 | | | 001-04061-60 | FLANGE BOLT | 1 | PC. |
| 65 | 2 | | 277-79232-11 | FLYWHEEL COM. | 1 | PC. |
| 66 | 2 | | 277-79431-11 | IGNITION COIL CPL | 1 | PC. |
| 67 | | | 001-14062-50 | BOLT & WASHER ASSY | 2 | PC. |
| 68 | | | 277-73102-H1 | WIRE 2 CPL | 1 | PC. |
| 70 | 3 | | X65-50002-71 | SPARK PLUG CAP | 1 | PC. |
| 71 | | | 277-76301-21 | OIL LEVER SENSOR | 1 | PC. |
| 72 | | | 001-14061-60 | BOLT & WASHER ASSY | 1 | PC. |
| 73 | | | 013-00602-60 | BOLT&WASHER ASSY | 1 | PC. |
| 74 | | | 010-50802-90 | STUD | 1 | PC. |
| 75 | | | 010-50805-10 | STUD | 1 | PC. |
| 76 | | | 277-87001-03 | COVER(CRANKSHAFT) | 1 | PC. |
| 77 | | | 011-00801-50 | FLANGE BOLT | 2 | PC. |
| 78 | | | 33B-35001-11 | BOTTOM EXT. PLATE CP | 1 | PC. |
| 79 | | | 011-00802-70 | FLANGE BOLT | 2 | PC. |
| 80 | | | 011-00801-50 | FLANGE BOLT | 2 | PC. |
| 81 | | | 277-30402-11 | MUFFLER CP | 1 | PC. |
| 82 | | | 33B-52601-03 | BAFFLE | 1 | PC. |
| 83 | | | 011-00601-60 | FLANGE BOLT | 2 | PC. |
| 84 | | | 277-35201-13 | GASKET (MUFFLER) | 1 | PC. |
| 85 | 2 | | 002-38080-00 | FLANGE NUT | 2 | PC. |
| 86 | | | 277-37210-03 | TAIL SCREEN COVER | 1 | PC. |
| 87 | | | 277-37220-03 | SCREEN | 1 | PC. |

| Item No | Type | Ref | Re Part No | Description | Qty | Unit |
|---------|------|------|--------------|--|-----|------|
| 88 | | | 004-35051-60 | SCREW & WASHER ASSY | 1 | PC. |
| 89 | 1 | | 002-18050-00 | NUT | 1 | PC. |
| | 2 | | 264035-7 | X. NUT M5 | 1 | PC. |
| 90 | | | 279-37603-01 | SPARK ARRESTOR CPL | 1 | PC. |
| 91 | 3 | | 277-32722-30 | AIR CLEANER ASSY | 1 | PC. |
| | | INC. | | Item No. 92,94 | | |
| 92 | | | 277-32632-08 | BASE CP | 1 | PC. |
| | | INC. | | Item No. 93 | | |
| 93 | | | 277-32604-08 | PACKING | 1 | PC. |
| 94 | 2 | | 277-32643-28 | COVER CP | 1 | PC. |
| 95 | | | 073-20044-30 | LABEL(CHOKE) (OLD) | 1 | PC. |
| 96 | | | 277-32661-17 | ELEMENT CP | 1 | PC. |
| 97 | | | 002-38060-00 | FLANGE NUT | 2 | PC. |
| 98 | | | 085-10800-00 | RUBBER PIPE 8DX11DX1000L | 1 | PC. |
| 98 | | | 277-32762-08 | BREATHER PIPE 8DX11DX95L | 1 | PC. |
| 99 | 2 | | 277-32910-13 | INSULATOR | 1 | PC. |
| 100 | 2 | | 20A-35902-03 | GASKET 1 (INSULATOR) | 1 | PC. |
| 101 | 2 | | 20A-35903-03 | GASKET 2 (INSULATOR) | 1 | PC. |
| 102 | | | 277-39004-01 | BRACKET(A/C)1 CP | 1 | PC. |
| 103 | 1 | | 011-00600-50 | FLANGE BOLT | 1 | PC. |
| | 2 | | 001-04062-00 | FLANGE BOLT M6X20 | 1 | PC. |
| 104 | | | 011-00601-50 | FLANGE BOLT | 1 | PC. |
| 105 | | | 277-52001-13 | BLOWER HOUSING | 1 | PC. |
| 106 | | | 001-14063-50 | BOLT AND WASHER AY | 1 | PC. |
| 107 | | | 001-14064-50 | BOLT AND WASHER AY | 3 | PC. |
| 108 | | | 980-40081-10 | STR PIN - 8 X 10 | 2 | PC. |
| 109 | | | 277-56001-03 | PLATE 3 | 1 | PC. |
| 110 | 3 | | 277-50401-40 | RECOIL STARTER AY | 1 | PC. |
| | | INC. | | Item No. 111,112,A03,114-118 | | |
| 111 | | | 277-50402-08 | SPIRAL SPRING | 1 | PC. |
| 112 | | | 277-50403-08 | REEL | 1 | PC. |
| 114 | 1 | | 277-50409-08 | STARTER KNOB | 1 | PC. |
| | 2 | | 277-50409-18 | STARTER KNOB | 1 | PC. |
| 115 | | | 277-50404-08 | RACHET | 1 | PC. |
| 116 | | | 277-50405-08 | FRICITION SPRING | 1 | PC. |
| 117 | | | 277-50407-08 | FRICITION PLATE | 1 | PC. |
| 118 | | | 277-50406-08 | RETAINING RING | 1 | PC. |
| 119 | | | 011-00601-40 | FLANGE BOLT | 3 | PC. |
| 120 | | | 277-54101-23 | COOLING BLOWER | 1 | PC. |
| 121 | | | 277-52702-03 | BAFFLE 2 (HEAD) | 1 | PC. |
| 122 | | | 011-00600-20 | FLANGE BOLT | 1 | PC. |
| 123 | | | 277-24401-03 | DRIVING SHAFT | 1 | PC. |
| 124 | | | 011-01001-10 | FLANGE BOLT | 4 | PC. |
| 125 | 2 | | 277-62330-30 | CABURETOR ASSY (OLD# 277-62330-10 - N/L/A) | 1 | PC. |
| | | INC. | | Item No. 126-160 | | |
| 126 | | | 277-62536-08 | VALVE THROTTLE | 1 | PC. |
| 127 | | | 284-62455-08 | SCREW | 3 | PC. |
| 128 | | | 284-62527-08 | CHOKE VALVE (Old - N/L/A as indivisual part) | 1 | PC. |
| 129 | | | 277-62422-08 | JET. SLOW | 1 | PC. |
| 130 | | | 284-62520-08 | SHAFT ASSY(CHOKE) | 1 | PC. |
| 131 | | | 277-62532-18 | SHAFT SUB AY | 1 | PC. |
| 132 | | | 284-62355-08 | SCREW | 1 | PC. |
| 133 | | | 279-62500-08 | VALVE ASSY(NEEDLE) | 1 | PC. |
| 134 | | | 284-62515-08 | PIN, FLOAT LEVER | 1 | PC. |
| 135 | | | 284-62550-08 | CHAMBER ASSY(FLOAT) | 1 | PC. |
| 136 | | | 251-62350-08 | GASKET | 1 | PC. |

| Item No | Type | Ref | Re Part No | Description | Qty | Unit |
|---------|------|------|--------------|---------------------|-----|------|
| 137 | | | 284-62540-08 | GASKET(CHAMBER) | 1 | PC. |
| 138 | | | 284-62505-08 | FLOAT ASSY | 1 | PC. |
| 139 | | | 277-62409-08 | JET,MAIN | 1 | PC. |
| 140 | | | 284-62456-08 | SCREW | 1 | PC. |
| 141 | | | 284-62445-08 | SPRING(CHOKE) | 1 | PC. |
| 142 | | | 251-62661-08 | SCREW (DRAIN) | 1 | PC. |
| 143 | | | 277-62581-08 | SCREW ADJUST | 1 | PC. |
| 144 | | | 251-62449-08 | SPRING | 2 | PC. |
| 145 | | | 251-62559-08 | BUSH | 1 | PC. |
| 146 | | | 284-62561-08 | COLLAR | 2 | PC. |
| 147 | | | 284-62315-18 | SPRING THROTTLE | 1 | PC. |
| 148 | | | 277-62590-08 | PIPE | 1 | PC. |
| 149 | | | 284-62450-08 | O RING | 1 | PC. |
| 150 | | | 284-62451-08 | O RING | 1 | PC. |
| 151 | | | 277-62451-08 | BRACKET, WIRE | 1 | PC. |
| 152 | | | 284-62580-08 | MOTOR | 1 | PC. |
| 153 | | | 284-62576-18 | BRACKET MOTOR | 1 | PC. |
| 154 | | | 277-62595-08 | COVER, MOTOR | 1 | PC. |
| 155 | | | 284-62458-08 | SCREW | 2 | PC. |
| 156 | | | 284-62457-08 | SCREW | 5 | PC. |
| 157 | | | 284-62555-08 | JOINT LEVER | 1 | PC. |
| 158 | | | 284-62446-18 | SPRING | 1 | PC. |
| 159 | | | 284-62447-08 | WASHER | 1 | PC. |
| 160 | | | 284-62575-08 | BRACKET | 1 | PC. |
| 161 | | | 011-00600-20 | FLANGE BOLT | 1 | PC. |
| 162 | | | 056-60002-50 | CLAMP | 1 | PC. |
| 163 | 4 | | 34B-20052-21 | STATOR CP | 1 | PC. |
| 164 | | | 34B-21051-08 | BOLT | 4 | PC. |
| 165 | | | 003-20050-00 | SPRING WASHER | 4 | PC. |
| 166 | 2 | | 34B-20061-11 | ROTOR CP | 1 | PC. |
| | | INC. | | Item No. 167 | | |
| 167 | | | 34B-21001-08 | BEARING | 1 | PC. |
| 168 | | | 010-01002-00 | BOLT | 1 | PC. |
| 169 | | | 020-01001-60 | WASHER | 1 | PC. |
| 170 | | | 34B-23071-01 | REAR COVER | 1 | PC. |
| 171 | | | 001-14062-50 | BOLT & WASHER ASSY | 4 | PC. |
| 172 | | | KU5-12102-01 | INV&E/G C/U CP(F2) | 1 | PC. |
| 173 | | | 34B-55002-03 | COVER (INVERTOR)2 | 1 | PC. |
| 174 | | | 004-36051-60 | SCREW AND WASHER AY | 2 | PC. |
| 174 | | | 266494-1 | PH SCREW M5X16 | 2 | PC. |
| 175 | | | 34K-20903-08 | DIODE | 1 | PC. |
| 176 | | | 34K-20904-08 | SCREW | 1 | PC. |
| 177 | | | 34B-57301-13 | SEAL SPONGE IV1 | 1 | PC. |
| 178 | | | 34B-57302-13 | SEAL SPONGE IV2 | 1 | PC. |
| 179 | | | 34B-57303-13 | SEAL SPONGE IV3 | 1 | PC. |
| 180 | | | 34B-55011-03 | INV SHIELD 1 | 1 | PC. |
| 181 | | | 34B-55012-03 | INV SHIELD 2 | 1 | PC. |
| 182 | | | 34B-55021-01 | CLIP | 6 | PC. |
| 183 | | | 34B-48102-01 | WIRE HARNESS(E/G)CP | 1 | PC. |
| 184 | | | 34K-20905-08 | SCREW | 1 | PC. |
| 185 | | | 34K-20907-08 | BAND | 2 | PC. |
| 186 | 3 | | 34B-30101-21 | PIPE FRAME(INV)CP | 1 | PC. |
| 187 | | | 32B-30211-11 | MOUNT CP (R) | 1 | PC. |
| 188 | | | 32B-30212-11 | MOUNT CP (L) | 1 | PC. |
| 189 | | | 32B-30202-11 | MOUNT CP (L) | 1 | PC. |
| 190 | | | 32B-30201-11 | MOUNT CP (R) | 1 | PC. |

| Item Nc | Type | Ref | Re Part No | Description | Qty | Unit |
|---------|------|------|--------------|--------------------------------------|-----|------|
| 191 | | | 002-38080-00 | FLANGE NUT | 8 | PC. |
| 192 | | | 33B-48091-01 | EARTH WIRE CP | 1 | PC. |
| 193 | | | 34B-48091-01 | EARTH WIRE CPL | 1 | PC. |
| 194 | | | 014-00601-21 | SCREW | 1 | PC. |
| 195 | | | 073-20055-20 | LABEL (PLUG CAUTION) | 1 | PC. |
| 196 | 1 | | 33B-50002-01 | FRONT COVER (UPPER) COM. , BULE | 1 | PC. |
| | 2 | | 33B-50001-11 | FRONT COVER (UPPER) COM. , BLACK | 1 | PC. |
| 197 | | | 015-00400-70 | TAPPING SCREW | 3 | PC. |
| 198 | | | 33B-46001-03 | COVER(COCK) | 1 | PC. |
| 199 | | | 003-10040-00 | WASHER | 2 | PC. |
| 200 | | | 33B-46012-11 | BRACKET(COCK) | 1 | PC. |
| 201 | | | 33B-46033-01 | COVER PLATE CPL | 1 | PC. |
| 202 | | | 004-36061-60 | SCREW AND WASHER AY | 2 | PC. |
| 203 | | | 34B-48015-11 | WIRE HARNESS CP | 1 | PC. |
| 204 | | | 34B-55031-03 | TUBE(8P) | 1 | PC. |
| 205 | | | 34B-55032-03 | TUBE(4P) | 1 | PC. |
| 206 | | | 353-49904-08 | TAPPING SCREW | 6 | PC. |
| 207 | | | 34B-41C25-00 | CONTROL PANEL AY | 1 | PC. |
| | | INC. | | Item No. 203,208,209,212-221,228-241 | | |
| 208 | | | 33B-45018-11 | PANEL PLATE CP | 1 | PC. |
| 209 | | | 34B-49042-03 | SHEET(PANEL VR)42 | 1 | PC. |
| 210 | 1 | | 34K-41812-03 | ROCKER SWITCH | 1 | PC. |
| | 2 | | 33B-40007-08 | ROCKER SWITCH | 1 | PC. |
| 211 | | | 34K-41813-03 | SWITCH COVER | 1 | PC. |
| 212 | 2 | | 33K-49951-01 | AC RECEPTACLE, 125V-20A | 1 | PC. |
| | 3 | | 35G-49001-01 | AC RECEPTACLE, 125V-20A | 1 | PC. |
| 213 | | | 356-45711-08 | AC RECEPTACLE, 125V-30A | 1 | PC. |
| 214 | | | 004-35041-00 | SCREW & WASHER ASSY | 2 | PC. |
| 215 | | | 356-59937-08 | SCREW & WASHER ASSY | 2 | PC. |
| 216 | 2 | | 002-17040-00 | NUT | 2 | PC. |
| 217 | | | 003-10040-00 | WASHER | 2 | PC. |
| 218 | | | 326-00335-08 | SPRING WASHER | 2 | PC. |
| 219 | 2 | | KU3-11762-01 | MONITOR C/U CP (INV1) | 1 | PC. |
| 220 | | | 013-10400-80 | SCREW & WASHER ASSY | 2 | PC. |
| 221 | | | 002-17040-00 | NUT | 2 | PC. |
| 222 | 2 | | 33K-41812-03 | MICRO SWITCH | 2 | PC. |
| 223 | | | 33K-42010-03 | CONTROL DIAL | 1 | PC. |
| 224 | | | 33K-42020-03 | CHOKE REEL | 1 | PC. |
| 225 | | | 33K-42030-23 | PLATE | 1 | PC. |
| 226 | | | 33B-46015-01 | BRACKET(MICRO) | 1 | PC. |
| 227 | 2 | | 33B-40001-08 | TAPPING SCREW | 2 | PC. |
| 228 | | | 32B-43404-01 | CIRCUIT BREAKER | 1 | PC. |
| 229 | | | 32B-43201-01 | CIRCUIT BREAKER | 1 | PC. |
| 230 | | | 32B-43402-01 | CIRCUIT BREAKER | 1 | PC. |
| 231 | | | 31B-79011-03 | SCREW&WASHER ASSY | 2 | PC. |
| 232 | | | 32B-43061-03 | SCREW | 1 | PC. |
| 233 | | | 363-45701-08 | TERMINAL BOLT RED 20A | 1 | PC. |
| 234 | | | 363-45700-08 | TERMINAL BOLT BLACK 20A | 1 | PC. |
| 235 | | | 388-88001-03 | SCREW (M5) | 1 | PC. |
| 236 | | | 332-00050-08 | SPRING WASHER | 3 | PC. |
| 237 | | | 353-49903-08 | WASHER | 3 | PC. |
| 238 | | | 353-49902-08 | NUT | 1 | PC. |
| 239 | | | 003-30050-00 | LOCK WASHER | 1 | PC. |
| 240 | | | 353-49901-08 | WING NUT (M5) | 1 | PC. |
| 241 | | | 33K-42101-03 | PLATE | 1 | PC. |
| 242 | | | 33B-46021-01 | CHOKE WIRE CPL | 1 | PC. |

| Item No | Type | Ref | Re Part No | Description | Qty | Unit |
|---------|------|------|--------------|---|-----|------|
| 243 | | | 226-45001-03 | RETURN SPRING | 1 | PC. |
| 244 | | | 014-00601-90 | SCREW | 4 | PC. |
| 245 | | | 056-30000-60 | WIRE BAND | 4 | PC. |
| 246 | | | 34B-90012-03 | LABEL(TRADE MARK) | 1 | PC. |
| 247 | | | 33K-94007-03 | LABEL(WARNING) | 1 | PC. |
| 248 | | | 34K-92110-13 | ECON LABEL | 1 | PC. |
| 249 | | | 33B-50101-01 | FRONT COVER(LOWER) CPL | 1 | PC. |
| 250 | | | 33B-35501-01 | BRACKET(COVER) CPL | 1 | PC. |
| 251 | | | 33B-50501-01 | REAR COVER(UPPER) CPL | 1 | PC. |
| 252 | 2 | | 011-00601-40 | FLANGE BOLT | 2 | PC. |
| 253 | | | 001-11062-50 | BOLT AND WASHER AY | 1 | PC. |
| 254 | | | 002-38060-00 | FLANGE NUT | 1 | PC. |
| 255 | | | 34B-57310-03 | SEAL SPONGE FC1 | 1 | PC. |
| 256 | | | 34B-57311-03 | SEAL SPONGE FC2 | 2 | PC. |
| 257 | | | 33B-56001-01 | MUFFLER COVER CP | 1 | PC. |
| 258 | | | 33B-56051-01 | MUFFLER COVER(S) CP | 1 | PC. |
| 259 | | | 33B-57005-03 | SEAL RUBBER | 1 | PC. |
| 260 | 2 | | 011-00601-40 | FLANGE BOLT | 4 | PC. |
| 261 | | | 011-00600-80 | FLANGE BOLT | 4 | PC. |
| 262 | 1 | | 34B-96109-03 | LABEL (SPEC) | 1 | PC. |
| | 2 | | 34B-96109-13 | LABEL (SPEC) | 1 | PC. |
| 263 | | | 33B-97102-13 | LABEL(CAUTION) | 1 | PC. |
| 264 | | | 34B-60102-01 | FUEL TANK CP | 1 | PC. |
| 265 | | | 043-05900-11 | FUEL TANK CAP ASSY | 1 | PC. |
| 266 | | | 064-15400-11 | FUEL FILTER | 1 | PC. |
| 267 | | | 064-80015-00 | FUEL GAUGE CPL | 1 | PC. |
| 268 | | | 064-20103-00 | FUEL STRAINER ASSY | 1 | PC. |
| 268 | | INC. | | Item No. 269-272 | | |
| 269 | | | 064-20093-20 | PACKING | 1 | PC. |
| 270 | | | 064-20064-10 | RUBBER PACKING | 1 | PC. |
| 271 | | | 064-20078-10 | CUP | 1 | PC. |
| 272 | | | 064-20047-90 | SCREW | 2 | PC. |
| 273 | | | 011-00600-20 | FLANGE BOLT | 1 | PC. |
| 274 | | | 011-00602-20 | BOLT TYPE 2 | 4 | PC. |
| 275 | | | 085-19600-00 | RUBBER PIPE (CUT INTO 240mm) | 1 | PC. |
| 276 | 1 | | 33B-66002-03 | RUBBER PIPE | 1 | PC. |
| | 2 | | 33B-66002-13 | RUBBER PIPE | 1 | PC. |
| 277 | | | 251-17302-03 | MESH PROTECTOR | 1 | PC. |
| 278 | | | 056-11000-30 | HOSE CLAMP | 2 | PC. |
| 279 | | | 056-11100-20 | HOSE CLAMP | 1 | PC. |
| 280 | | | 056-11300-10 | HOSE CLAMP | 1 | PC. |
| 281 | | | 391-39000-13 | RUBBER WASHER TYPE 2 | 4 | PC. |
| 282 | | | 33B-97132-13 | LABEL(TRADE MARK) RC | 1 | PC. |
| 283 | | | 377-92500-03 | CAUTION LABEL | 1 | PC. |
| 284 | | | 377-92502-03 | LABEL(CAUTION) | 1 | PC. |
| 285 | | | 073-20045-10 | LABEL (SYMBOL-TANK) | 1 | PC. |
| 286 | | | 31G-81027-03 | LABEL(NOISE) | 1 | PC. |
| 287 | | | 34B-57311-03 | SEAL SPONGE FC2 | 1 | PC. |
| 288 | | | 33K-42074-03 | SPRING (DIAL) (Added) | 1 | PC. |
| 289 | | | 33K-42071-03 | BALL(DIAL) (Added) | 1 | PC. |
| 290 | | | 073-20059-90 | Label (Caution CO GAS) (Added on FUEL TANK) | 1 | PC. |

ACCESSORIES

- See Catalogue or visit www.makita.ca for more optional accessories -

| | | | | | | |
|-----|---|--|--------------|--------------------|---|-----|
| A01 | 1 | | 277-90301-H0 | ACCESSORY TOOL KIT | 1 | PC. |
| | 2 | | 277-90301-J0 | ACCESSORY TOOL KIT | 1 | PC. |
| A02 | 2 | | 065-01402-10 | SPARK PLUG | 1 | PC. |

| Item No | Type | Ref | Re Part No | Description | Qty | Unit |
|---------|------|-----|--------------|--|-----|------|
| A03 | | | 277-50408-08 | STARTER ROPE | 1 | PC. |
| A04 | | | 110004-B | WHEEL KIT (See Parts breakdown 110004-B) | 1 | PC. |

SERVICE CHANGES

1. Changes on Cam Shaft Complete & Return Spring

| Item No. | Description | (TI#Y06940) | | | | |
|----------|--------------------|--------------|--------------|--------------|--------------|--------------|
| | | (TI#Y05704) | (TI#Y06493) | (TI#Y06943) | (TI#Y07268) | |
| | | Type 1 | Type 2 | Type 3 | Type 4 | Type 5 |
| 35 | Cam Shaft Complete | 278-31601-31 | 278-31601-41 | 278-31601-51 | 278-31601-61 | 277-31601-71 |
| 41 | Return Spring | 279-38701-13 | 277-38703-03 | 277-38703-13 | 277-38703-23 | 277-38703-33 |

*** No. 41 is included in No. 35